



We transform your ideas into real operating equipment. Specialists supervise each step of process very carefully, from the design stage, manufacturing and assembly, right through the delivery of the crane systems.

Find us to be your partner...

.... Ready to lift the world



Profile:

We transform your ideas into real operating equipment. Specialists supervise each step of the process very carefully, from the design stage, manufacturing and assembly, right through to the delivery of the Crane Systems.

With vast experience in handling the material handling problems, we are confident that we will be offer a pragmatic solution to your material handling problems /requirements.

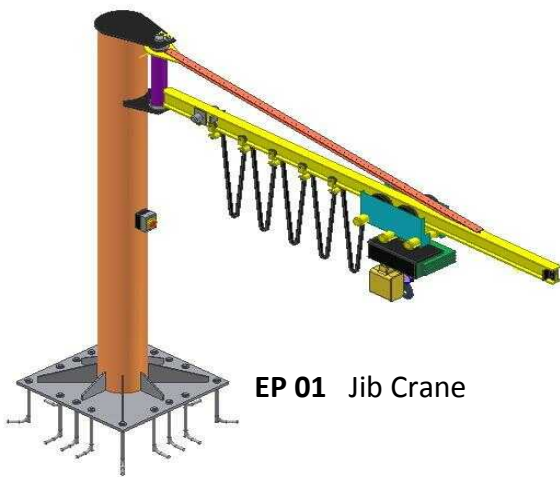
We approach every project with the same sense of creativity and efficiency. Your inspiration and our knowledge in cranes make an impressive combination that delivers tailor-made crane systems,that saves time as well as money.

We distinguish ourselves as a specialist in engineering, production and after sales of massive and advanced lifting solutions, which presents an optimal performance.

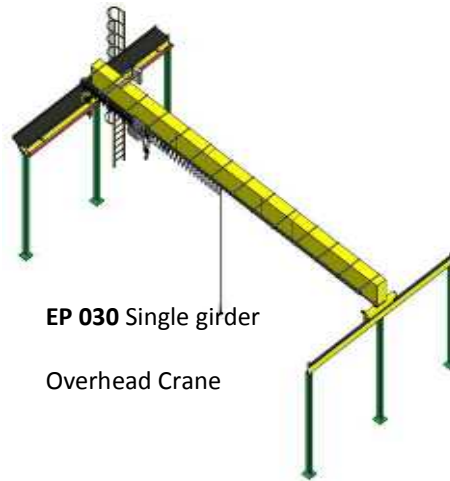


Our product range

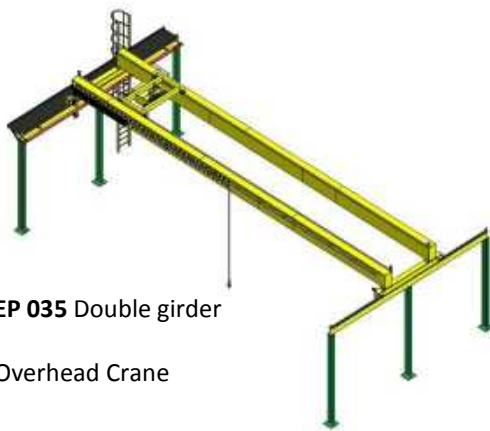
Single girder overhead crane, Double girder overhead crane, Single girder gantry crane, Double girder gantry crane, Explosion proof cranes, Semi gantry crane, Jib crane, portable gantry crane, monorail hoists, Special attachments like Rotating Devices, Magnetic Attachments and various other material handling solutions.



EP 01 Jib Crane



EP 030 Single girder
Overhead Crane



EP 035 Double girder
Overhead Crane



EP 040 Under slung Crane



EP 060 Single girder
Gantry Crane



EP 061 Double girder
Gantry Crane



EP 067 Single girder Semi
Gantry Crane



EP 068 Double girder Semi
Gantry Crane

Engineering

Production

Installation

Maintenance

Certification

LOOTAH LEMMENS LLC
PO Box 7648, UAQ, U A E
Tel: 00971 6 7672288
Fax: 00971 6 7672322

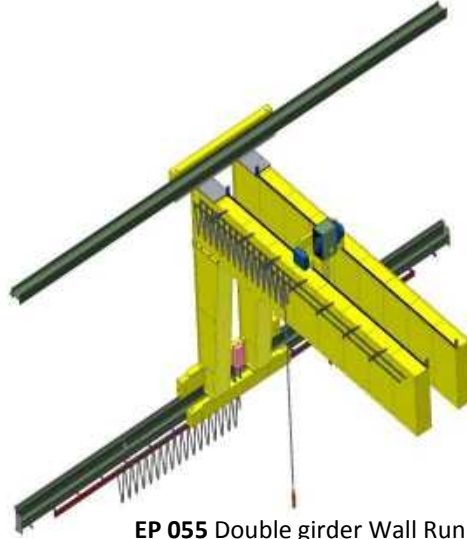
www.lootahlemmens.com
info@lootahlemmens.com





EP 050 Single girder Wall Running

Jib Crane



EP 055 Double girder Wall Running

Jib Crane

Engineering

Production

Installation

Maintenance

Certification

LOOTAH LEMMENS LLC
 PO Box 7648, UAQ, U A E
 Tel: 00971 6 7672288
 Fax: 00971 6 7672322

www.lootahlemmens.com
info@lootahlemmens.com



History

Lootah Lemmens Crane systems

- Joint Venture between Lemmens Crane System & Lootah Group of Companies established during the year 2005.
- Since then Lootah Lemmens holds a major market share in Crane Industries
- Office and Factory located in Umm Al Quwain UAE.



Engineering

Production

Installation

Maintenance

Certification

LOOTAH LEMMENS LLC
 PO Box 7648, UAQ, U A E
 Tel: 00971 6 7672288
 Fax: 00971 6 7672322

www.lootahlemmens.com
info@lootahlemmens.com





Lemmens Crane systems

Since Lemmens foundation in 1969, Lemmens has grown from a small factory to a modern company with well known products.

- Originating from Netherlands Expanded operations to other parts of Europe.
- Designing of equipment goes through Lemmens Netherlands for all locations
- Presently operating in Netherlands, Belgium, Spain, Russia and U.A.E.
- Every year building about a 150 cranes with a capacity of 200 Kg till 500.000 Kg
- For More Information Visit <http://www.lemmenscranesystems.com/>

Lootah Group of Companies

- Established in the year 1971
- Lootah Group has diversified activity in the field of Manufacturing, Construction, Trading, Real Estate, Ready Mix and Technology.

Lootah Industries
 Lootah Fabrication
 Lootah Metal co
 Lootah Fiber Glass
 Lootah Cementation
 Lootah Building Construction
 Lootah Carpentry
 Lootah Bitumen & Road Works
 Lootah Marbles

Lootah Real Estate
 Lootah Metal Profiles
 LooTech
 National Ready Mix Company
 National Steel
 National Aluminum
 Alpha Emirates Food Products
 Dubai Sand Purification
 Emirates Foam

- For More Information visit www.lootahgroup.com

Our Customers



Engineering	Production	Installation	Maintenance	Certification
LOOTAH LEMMENS LLC PO Box 7648, UAQ, U A E Tel: 00971 6 7672288 Fax: 00971 6 7672322		www.lootahlemmens.com info@lootahlemmens.com		



Engineering

In our company's we transforming your ideas into real operating equipment. Specialists super-vice each step of the process very carefully, from the design stage, manufacturing and assembly, right through to the delivery of the crane systems

Maximum Usability

you can rest assured that your plant site will always benefit from the best equipment and services.

Focus on Quality

Lemmens has been focusing on the development and implementation of lifting and transport custom-made solutions since 1969.

Product Innovation

The engineering department has professional design engineers working with 3D CAD work-stations, producing mechanical and electrical drawings.



Engineering

Production

Installation

Maintenance

Certification

LOOTAH LEMMENS LLC
PO Box 7648, UAQ, U A E
Tel: 00971 6 7672288
Fax: 00971 6 7672322

www.lootahlemmens.com
info@lootahlemmens.com





Engineering

Production

Installation

Maintenance

Certification

LOOTAH LEMMENS LLC
 PO Box 7648, UAQ, U A E
 Tel: 00971 6 7672288
 Fax: 00971 6 7672322

www.lootahlemmens.com
info@lootahlemmens.com





Production

Our experienced mechanics...
...transform ideas into crane systems

Modern Work Environment

Experienced mechanics use the latest machinery to produce a wide range of lifting and transport systems.

Production Facility

In our workshops in Netherlands, Belgium, Dubai and Russia, We produce a wide range of lifting and transport system.

Mechanical Assembly

we transform your ideas into actual operating equipment. We assure that your plant site will always benefit from the best equipment.

Electrical Assembly

the switchboards required to control these installations come from our in-house electrical workshop.



Engineering

Production

Installation

Maintenance

Certification

LOOTAH LEMMENS LLC
PO Box 7648, UAQ, U A E
Tel: 00971 6 7672288
Fax: 00971 6 7672322

www.lootahlemmens.com
info@lootahlemmens.com





Installation

Once started with an assignment...
...continue until completely satisfied

We will guide you personally in your search for the best lifting or transport solutions. Over the years Lemmens crane systems has built up long-term relationships with all customers.

Complete Installation

once we begin an assignment, we continue to work on it until you are completely satisfied.

Professional Teamwork

Our wide experience enables us to e up with the most appropriate solutions to meet your requirements.

Final Assembly

The final product is exactly what you requested and is designed to optimize production in your company.



Engineering

Production

Installation

Maintenance

Certification

LOOTAH LEMMENS LLC
PO Box 7648, UAQ, U A E
Tel: 00971 6 7672288
Fax: 00971 6 7672322

www.lootahlemmens.com
info@lootahlemmens.com





Maintenance

24 hours a day, 7 days a week
...open for your maintenance requests

The Lemmens crane systems group focuses on service, repairs and maintenance. Experienced specialists will inspect and certify your new and existing lifting installations.

Operational 24/7

Failures can be reduced to a minimum by carrying out preventive maintenance of your equipment.

Maintenance Service

Our experienced and well trained service division; with qualified service engineers is the guarantee for maintaining functionality.

Always Standby

our service desk, which can be contacted 24 hours a day, 7 days a week, is always open for your maintenance requests.



Engineering

Production

Installation

Maintenance

Certification

LOOTAH LEMMENS LLC
PO Box 7648, UAQ, U A E
Tel: 00971 6 7672288
Fax: 00971 6 7672322

www.lootahlemmens.com
info@lootahlemmens.com





Certification

Certification

Our crane specialist will always put your safety first...

...certification is the guarantee for safety, quality and liability

We inside www.lootahlemmens.com are using the knowhow from Lemmens crane systems is a member of the EKH association, meaning that you will be sure that we respect the strict quality standards for inspection, testing and certifying lifting equipment, as yes it is our joint venture partner.

EKH Association

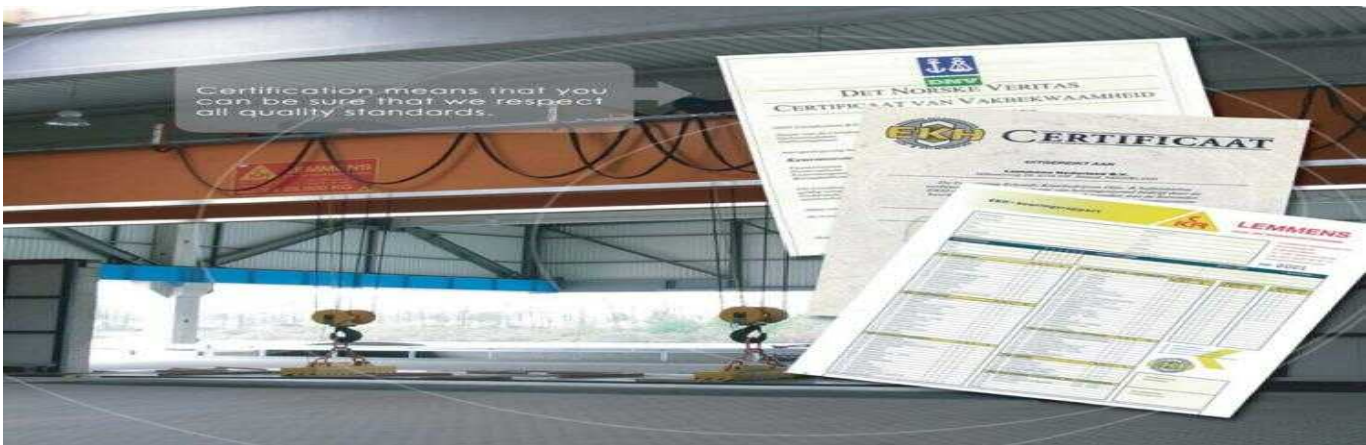
We have EKH-accredited qualified service engineers, for testing and certifying lifting systems.

Load Testing

Experienced specialists will inspect and certify new and existing lifting installations. We always put your safety first.

Quality Standards

To provide quality standards we are ISO, VCA** and EKH certified since the early days. All Lemmens crane systems hoisting and lifting equipment's are CE certified.



Find us to be your partner...

.... Ready to lift the world